

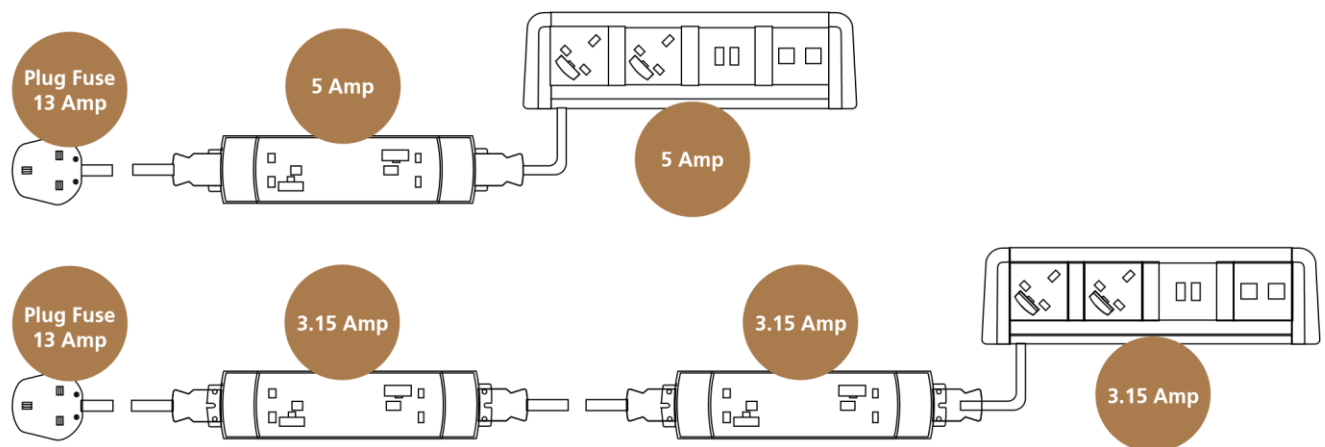
## BS 6396 Electrical Systems in Office Furniture and Educational Furniture

Electrical equipment and installations must be designed and tested to ensure their safety and to comply with statutory regulations, in particular the "Electricity at Work Regulations". Relevant British Standards may be used as a means of demonstrating safety and compliance with the regulations. In the case of electrical systems in office furniture and educational furniture, the relevant standard for systems connected to the mains supply by means of a 13A plug is BS 6396.

Sockets installed in office furniture are intended to supply office equipment with a rating not exceeding 5A with BS 6396 referring to all office furniture electrical installations when completed must be tested. Section 7 of BS 6396 sets out the procedures. These tests should also be carried out on reconfigured desks and screens as well as new installations. Periodic inspections and tests must be carried out to fulfil the requirements of BS 6396 and the "Electricity at Work Regulations" in maintaining a safe working environment.

The diagrams below indicate the maximum number of socket outlets that may be connected from a single power supply cable fed from a 13 Amp BS 1363 plug and their relevant fuse ratings.

BS 6396 was updated December 2015 to now incorporate RCD protection and reflect the changes which have been in place for fixed wiring installations complying to the 17th Ed IEE Wiring Regulations BS 7671, the amendment to BS 6396 now requires new Desk Electrics installations to incorporate RCD protection if the fixed wiring does not.



## BS 5733 General requirements for electrical accessories

BS 5733 specifies requirements and tests to check the safety in normal use of electrical accessories which are not covered by other specific British Standards. Such accessories are intended for use in household, commercial and light industrial premises where:

- The nominal supply voltage does not exceed 250 V a.c. single-phase, 50 Hz to 60 Hz or 250 V d.c
- The rated current of the accessory does not exceed 63A

Unless otherwise stated by the manufacturer, accessories conforming to this standard are intended for connection by cables or flexible cords conforming to BS 6004. BS EN 50525 or BS 7211. BS EN 61535.

## BS EN 61535 Installation couplers intended for permanent connection in fixed installations

This standard applies to two, three, four and five wire installation couplers including earth, (if provided), with a rated voltage up to and including 500V a.c. and a rated connecting capacity up to and including 10mm for permanent connection in indoor electrical installations. Installation couplers with additional contacts for voltages other than mains voltages are outside the scope of this standard.

All Products within our range which are intended for connection to the fixed wiring of the building, (such as our Betatrak® Underfloor Power Track System and Modular Lighting Systems), use components certified to BS EN 61535.

## Confidence in CMD Products

At CMD our highly trained and experienced engineers are fully qualified in all aspects of compliance with BS 6396 and all of our products are manufactured to BS 5733 and where relevant to BS EN 61535 and BS 7671 to assist in supplying products to enable full compliance with the relevant electrical installation standards.



# Product Selector

Choose from a range of UK, International, USB Charging and AV Sockets and Protection Breakers.

	Affinity	Conti (Metal)	Conti (Plastic)	Contour (Metal & Plastic)	Elite+	Face	Harmony	Inca	Linear	Porthole	Reveal	Surface
UK 13A	✓	✓	✓	✓	✓	✓	✓	✓	✓	✓	✓	✓
French/Belgian 16A	✓	✓	✓	✓	X	✓	✓	✓	✓	✓	✓	✓
German (Schuko) 16A	✓	✓	✓	✓	✓	✓	✓	✓	✓	✓	✓	✓
Indian 6A	✓	✓	✓	✓	X	✓	✓	X	✓	X	✓	✓
Swiss 10A	✓	✓	✓	✓	X	✓	✓	✓	✓	✓	✓	✓
USA 15A	✓	✓	✓	✓	X	✓	✓	X	✓	✓	✓	✓
Italian 10A/16A	✓	✓	✓	✓	X	✓	✓	✓	✓	✓	✓	✓
USB Charger 5A	✓	✓	X	✓	X	✓	✓	✓	✓	X	✓	✓
USB Charger A&C	X	✓	X	✓	X	✓	✓	✓	✓	✓	✓	✓
USB Data 2.0/3.0	✓	✓	✓	✓	X	✓	✓	✓	✓	✓	✓	✓
Cat 6	✓	✓	✓	✓	✓	✓	✓	✓	✓	✓	✓	✓
Cat 6a	✓	✓	✓	✓	✓	✓	✓	✓	✓	✓	✓	✓
Data Slots	✓	✓	✓	✓	X	✓	✓	X	✓	X	✓	✓
VGA	✓	✓	✓	✓	X	✓	✓	X	✓	X	✓	✓
3.5mm Mini Jack Audio	✓	✓	✓	✓	X	✓	✓	X	✓	X	✓	✓
HDMI	✓	✓	✓	✓	X	✓	✓	✓	✓	✓	✓	✓
Phono	✓	✓	✓	✓	X	✓	✓	X	✓	✓	✓	✓
Breakers/Protection	✓	✓	X	X	✓	✓	X	X	X	X	✓	✓

Compatible modules are identified by the tick ✓

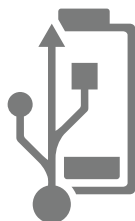
Non-compatible modules are identified by the cross X

## USB Sockets

CMD supply three different types of USB sockets; USB Type A data, USB Type A power and USB Type A and C power. Our USB data sockets require a separate USB cable, which must be connected to the back of the module and to the corresponding USB socket on a computer to allow data to be transferred to and from the module. Our USB power sockets are hardwired into the module's power supply to produce a dual port USB power supply capable of charging a wide range of devices. Please speak to our sales team for more information.



USB Data



USB Charging

### Rating of commonly used appliances

(Source: Electrical Safety Council [www.esc.org.uk](http://www.esc.org.uk))

Appliances	Amps	Watts
Computer Monitor	<0.5A	100W
Desktop Computer	3.0A	700W
Desk Lamp	<0.5A	60W
Laptop Charger	<0.5A	65-100W
Printer	<0.5A	50W
Appliances	Amps	Watts
Mobile Phone Charger	<0.5A	<12W
Landline Cordless Phone Charger	<0.5A	10W
Wi-Fi Router	<0.5A	10W
Radio	<0.5A	40W
Vacuum Cleaner	9.0A	2000W

## Socket Options

Design a power module to suit your needs

Switches:

- Single Pole (with
- German
- Italian or without neon)
- Swiss

- Double Pole (with Indian
- American\* or without neon)

Note: International sockets are only available in black and white but can be fitted with a black, grey or white 50mm x 50mm surround.

International Sockets:

- French/Belgian



UK Sockets:

- Standard UK 45 and 90 degrees (Unfused)
- Standard UK fused 45 and 90 degrees (3.15A and 5A)
- T-earth 90 degrees
- T-earth 90 degrees fused (3.15A and 5A)

\*A dual supply must be used when a 110V American socket is installed with a UK 240V supply.



# Socket Options

## USB Chargers:

- 5 Amp Type A USB Charger with Smart IC
- 18W Type A and C Adaptive Fast Charger

All sockets and plates are available in black, grey and white as standard.

Note: Slight colour variations may occur depending on socket type and batch number.



## Data Sockets:

- RJ11
- RJ45 (Cat6 and Cat6a)
- LJ6C
- USB

## Audio and Visual

- HDMI
- VGA
- 3.5mm Audio
- Phono
- S Video

While standard configurations are offered, power modules can be adapted to meet your individual requirements. Please give us a call and speak to one of our sales team to discuss your requirements.

# Power Modules



intro

## Capsule on desk power module



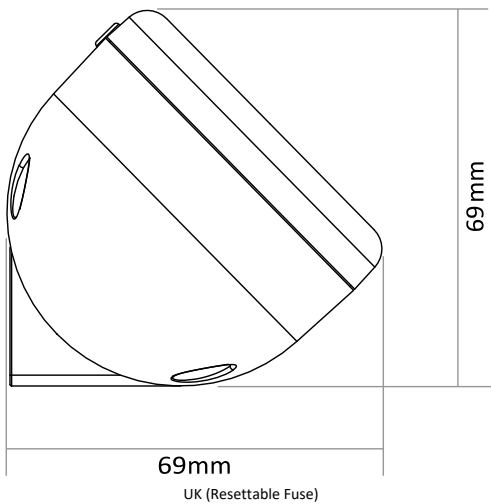
### Colour key

-  Black
-  Grey
-  White

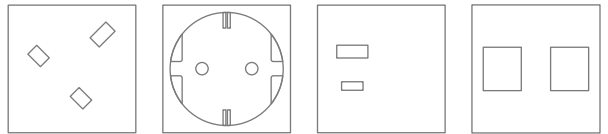






Capsule includes 2x UK sockets with individual switches and resettable 3A thermal fuses and includes fixing clamp and a dual port Type A and C adaptive fast charger with LED indicators. Capsule also has 2 AV blanks which can house a range of keystone sockets.

Includes desk fixing C clamp. (See page 30)



### Socket options



Part Number	Colour	UK	Schuko	Charger	Data	Lead	Connector
720001B		2	-	AC	-	1.5m	3 Pole
720001W		2	-	AC	-	1.5m	3 Pole
Please call		-	2	AC	-	1.5m	3 Pole
Please call		-	2	AC	-	1.5m	3 Pole

Schuko

USB Power

Data/AV

Order process - Please contact our sales team to discuss your requirements. You must check the terms and conditions on any quote before placing an order. Order details must be confirmed in writing by emailing [sales@cmd-ltd.com](mailto:sales@cmd-ltd.com). We're here to help so if you have any questions, please give us a call.



Desk fixing C clamp sold separately. (See page 30)

Socket options

Cables: White and grey modules are supplied with white cables and black modules are supplied with black cables.

Data Cables: CMD cannot accept any responsibility or liability for providing category 6 performance in products supplied. CMD cannot accept any responsibility or liability for providing HDMI performance in products supplied over 5m in length.

# Power Modules



Part Number	Colour	UK	Schuko	Charger	Data	Lead	Connector
82AC0001	●	1	-	AC	-	1m	3 Pole
82AC0002	●	1	-	AC	-	1m	3 Pole
82AC0003	○	1	-	AC	-	1m	3 Pole
82AC0008	●	-	1	AC	-	1m	3 Pole
82AC0009	●	-	1	AC	-	1m	3 Pole
82AC0010	○	-	1	AC	-	1m	3 Pole
82AC0004	●	2	-	AC	-	1m	3 Pole
82AC0005	●	2	-	AC	-	1m	3 Pole
82AC0006	○	2	-	AC	-	1m	3 Pole
8239000029	●	-	2	AC	-	1m	3 Pole
82AC0011	●	-	2	AC	-	1m	3 Pole
82AC0012	○	-	2	AC	-	1m	3 Pole
82000004	●	2	-	-	2x Cat 6	1m	3 Pole
82000005	●	2	-	-	2x Cat 6	1m	3 Pole
82000006	○	2	-	-	2x Cat 6	1m	3 Pole
82000007	●	-	2	-	2x Cat 6	1m	3 Pole
82000008	●	-	2	-	2x Cat 6	1m	3 Pole
82000009	○	-	2	-	2x Cat 6	1m	3 Pole

Cables: White and grey modules are supplied with white cables and black modules are supplied with black cables.

Data Cables: CMD cannot accept any responsibility or liability for providing category 6 performance in products supplied. CMD cannot accept any responsibility or liability for providing HDMI performance in products supplied over 5m in length.

## Linear on desk power module

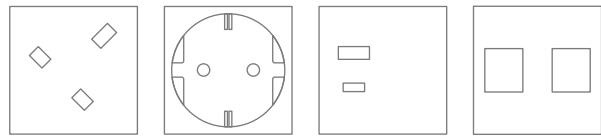
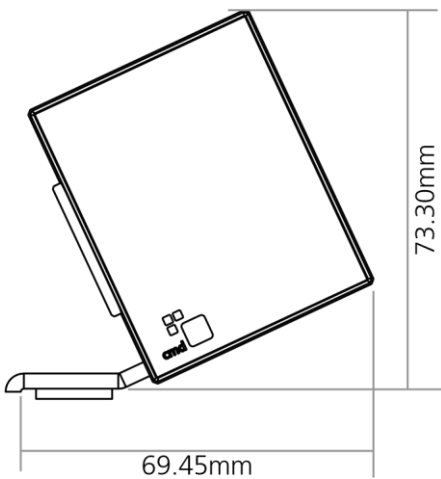


### Colour key

- Black
- Grey
- White



Linear can be customised to support a range of UK and international, USB charging and AV sockets and is fully compliant to current safety regulations.



UK (Fused)

Schuko

USB Power

Data/AV

Order process - Please contact our sales team to discuss your requirements. You must check the terms and conditions on any quote before placing an order. Order details must be confirmed in writing by emailing [sales@cmd-ltd.com](mailto:sales@cmd-ltd.com). We're here to help so if you have any questions, please give us a call.



Cables: White and grey modules are supplied with white cables and black modules are supplied with black cables.

Data Cables: CMD cannot accept any responsibility or liability for providing category 6 performance in products supplied. CMD cannot accept any responsibility or liability for providing HDMI performance in products supplied over 5m in length.



# Power Modules



Part Number	Colour	UK	Schuko	Charger	Data	Lead	Connector
94AC0001		1	-	AC	-	1m	3 Pole
94AC0002		1	-	AC	-	1m	3 Pole
94AC0003		1	-	AC	-	1m	3 Pole
94AC0017		-	1	AC	-	1m	3 Pole
94AC0018		-	1	AC	-	1m	3 Pole
94AC0003		-	1	AC	-	1m	3 Pole
94AC0004		2	-	AC	-	1m	3 Pole
94AC0005		2	-	AC	-	1m	3 Pole
94AC0006		2	-	AC	-	1m	3 Pole
94AC0020		-	2	AC	-	1m	3 Pole
94AC0021		-	2	AC	-	1m	3 Pole
94AC0022		-	2	AC	-	1m	3 Pole
94MUSO3BGST		2	-	-	2x Cat 6	1m	3 Pole
94MUSO3GGST		2	-	-	2x Cat 6	1m	3 Pole
94MUSO3WGST		2	-	-	2x Cat 6	1m	3 Pole
Please call		-	2	-	2x Cat 6	1m	3 Pole
n/a		-	2	-	2x Cat 6	1m	3 Pole
Please call		-	2	-	2x Cat 6	1m	3 Pole
440371	Silver	Contour C clamp fixing. 32mm recommended desk thickness.					
440006	White	Adhesive fixing kit. Each kit includes 2x adhesive fixing pads.					






Cables: White and grey modules are supplied with white cables and black modules are supplied with black cables.

Data Cables: CMD cannot accept any responsibility or liability for providing category 6 performance in products supplied. CMD cannot accept any responsibility or liability for providing HDMI performance in products supplied over 5m in length.

## Contour Metal on desk power module



### Colour key

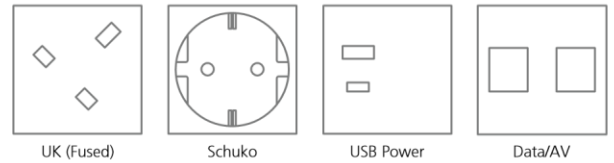
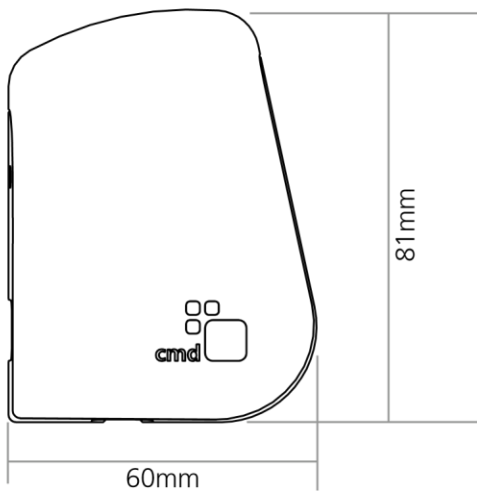
-  Silver Body/Black Sockets
-  Silver Body/Grey Sockets
-  Silver Body/White Sockets



Contour Metal can be customised to support a range of UK and international, USB charging and AV sockets and is fully compliant to current safety regulations. The body is made from anodised aluminium.

Desk fixing C clamp sold separately. (See page 30)

### Socket options



Order process - Please contact our sales team to discuss your requirements. You must check the terms and conditions on any quote before placing an order. Order details must be confirmed in writing by emailing [sales@cmd-ltd.com](mailto:sales@cmd-ltd.com). We're here to help so if you have any questions, please give us a call.






Cables: White and grey modules are supplied with white cables and black modules are supplied with black cables.

Data Cables: CMD cannot accept any responsibility or liability for providing category 6 performance in products supplied. CMD cannot accept any responsibility or liability for providing HDMI performance in products supplied over 5m in length.

## Contour Plasticon desk power module



### Colour key

-  White Body/Black Sockets
-  White Body/Grey Sockets
-  White Body/White Sockets

Please call to discuss other colour options.

Contour Plastic can be customised to support a range of UK and international, USB charging and AV sockets and is fully compliant to current safety regulations.

Desk fixing C clamp sold separately. (See page 30)

Socket options

Part Number	Colour	UK	Schuko	Charger	Data	Lead	Connector
94AC0007		1	-	AC	-	1m	3 Pole
94AC0008		1	-	AC	-	1m	3 Pole
94AC0009		1	-	AC	-	1m	3 Pole
94AC0023		-	1	AC	-	1m	3 Pole
94AC0024		-	1	AC	-	1m	3 Pole
94AC0025		-	1	AC	-	1m	3 Pole
94AC0012		2	-	AC	-	1m	3 Pole
94AC0013		2	-	AC	-	1m	3 Pole
94AC0014		2	-	AC	-	1m	3 Pole
94AC0027		-	2	AC	-	1m	3 Pole
94AC0028		-	2	AC	-	1m	3 Pole
94P129917		-	2	AC	-	1m	3 Pole
94U048GST		2	-	-	2x Cat 6	1m	3 Pole
94U049GST		2	-	-	2x Cat 6	1m	3 Pole
94U050GST		2	-	-	2x Cat 6	1m	3 Pole
94U052GST		-	2	-	2x Cat 6	1m	3 Pole



Cables: White and grey modules are supplied with white cables and black modules are supplied with black cables.

Data Cables: CMD cannot accept any responsibility or liability for providing category 6 performance in products supplied. CMD cannot accept any responsibility or liability for providing HDMI performance in products supplied over 5m in length.



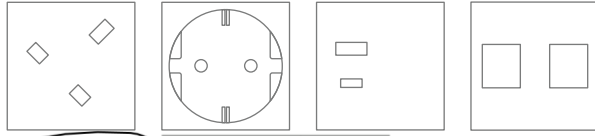
# Power Modules

## Colour key

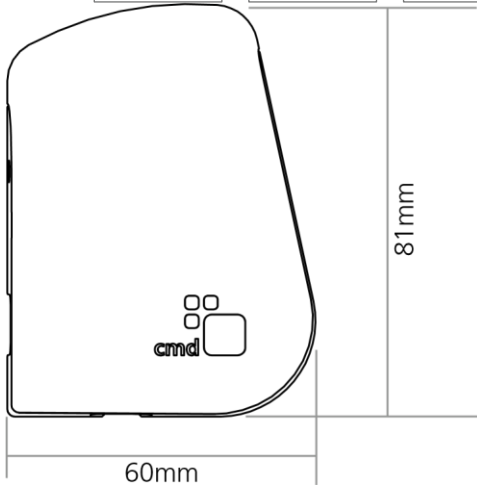
Black  
Grey



White



n/a		-	2	-	2x Cat 6	1m	3 Pole
94U053GST		-	2	-	2x Cat 6	1m	3 Pole
440371	Silver	Contour C clamp fixing. 32mm recommended desk thickness.					
440006	White	Adhesive fixing kit. Each kit includes 2x adhesive fixing pads.					



UK (Fused)      Schuko      USB Power      Data/AV

modules  
**power**

Order process - Please contact our sales team to discuss your requirements. You must check the terms and conditions on any quote before placing an order. Order details must be confirmed in writing by emailing [sales@cmd-ltd.com](mailto:sales@cmd-ltd.com). We're here to help so if you have any questions, please give us a call.



Cables: White and grey modules are supplied with white cables and black modules are supplied with black cables.

Data Cables: CMD cannot accept any responsibility or liability for providing category 6 performance in products supplied. CMD cannot accept any responsibility or liability for providing HDMI performance in products supplied over 5m in length.

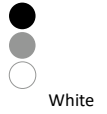
# Power Modules



Part Number	Colour	UK	Schuko	Charger	Data	Lead	Connector
84AC0001		1	-	AC	-	1m	3 Pole
84AC0002		1	-	AC	-	1m	3 Pole
84AC0003		1	-	AC	-	1m	3 Pole
84AC0007		-	1	AC	-	1m	3 Pole
84AC0008		-	1	AC	-	1m	3 Pole
84AC0009		-	1	AC	-	1m	3 Pole
84AC0004		2	-	AC	-	1m	3 Pole
84AC0005		2	-	AC	-	1m	3 Pole
84AC0006		2	-	AC	-	1m	3 Pole
84AC0010		-	2	AC	-	1m	3 Pole
84AC0011		-	2	AC	-	1m	3 Pole
84AC0012		-	2	AC	-	1m	3 Pole
8400013		2	-	-	2x Cat 6	1m	3 Pole
8400014		2	-	-	2x Cat 6	1m	3 Pole
8400015		2	-	-	2x Cat 6	1m	3 Pole
8400046		-	2	-	2x Cat 6	1m	3 Pole
n/a		-	2	-	2x Cat 6	1m	3 Pole
8400047		-	2	-	2x Cat 6	1m	3 Pole
440005	Silver	Harmony C clamp fixing. 32mm recommended desk thickness.					
440006	White	Adhesive fixing kit. Each kit includes 2x adhesive fixing pads.					

## Colour key

Black  
Grey



Cables: White and grey modules are supplied with white cables and black modules are supplied with black cables.

Data Cables: CMD cannot accept any responsibility or liability for providing category 6 performance in products supplied. CMD cannot accept any responsibility or liability for providing HDMI performance in products supplied over 5m in length.

Colour key

Black

Grey



White

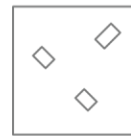
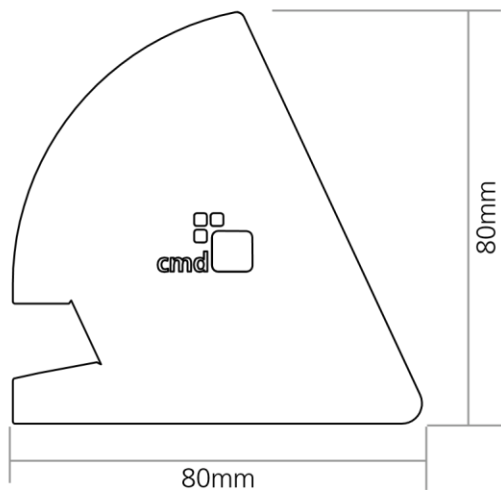
## Harmony on desk power module



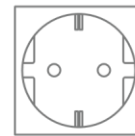
Harmony can be customised to support a range of UK and international, USB charging and AV sockets and is fully compliant to current safety regulations. The body is made from anodised aluminium.

Desk fixing C clamp sold separately. (See page 30)

### Socket options



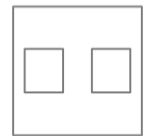
UK (Fused)



Schuko

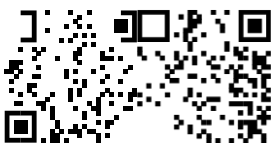


USB Power



Data/AV

Order process - Please contact our sales team to discuss your requirements. You must check the terms and conditions on any quote before placing an order. Order details must be confirmed in writing by emailing [sales@cmd-ltd.com](mailto:sales@cmd-ltd.com). We're here to help so if you have any questions, please give us a call.



Cables: White and grey modules are supplied with white cables and black modules are supplied with black cables.

Data Cables: CMD cannot accept any responsibility or liability for providing category 6 performance in products supplied. CMD cannot accept any responsibility or liability for providing HDMI performance in products supplied over 5m in length.

# Power Modules



## Colour key

Black  
Grey



White



Chip is a fully integrated module that has 2 USB Type A sockets capable of charging all leading phones and tablets.

## Chip on desk power module

modules  
**power**

Includes desk fixing C clamp

Socket options



Part Number	Colour	UK	Schuko	Charger	Data	Lead	Connector
7500001		-	-	4 Amp	-	1m	3 Pole

Cables: White and grey modules are supplied with white cables and black modules are supplied with black cables.

Data Cables: CMD cannot accept any responsibility or liability for providing category 6 performance in products supplied. CMD cannot accept any responsibility or liability for providing HDMI performance in products supplied over 5m in length.



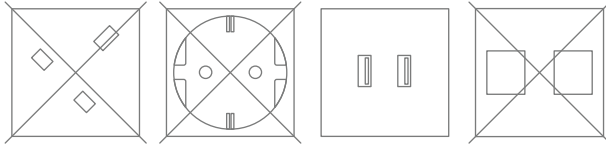
# Power Modules

## Colour key

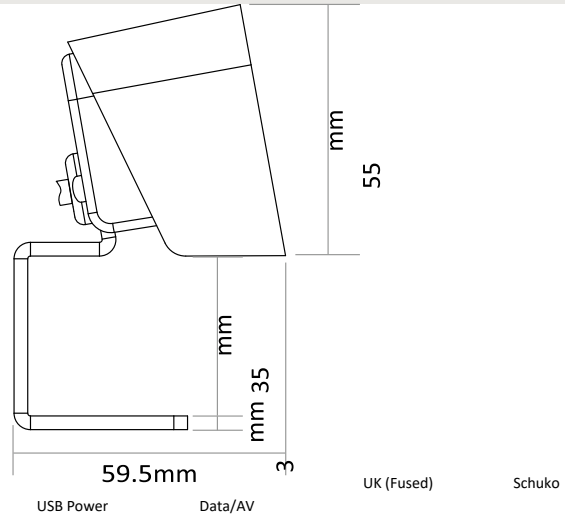
- Black
- Grey



White



7500002		-	-	4 Amp	-	1m	3 Pole
7500003		-	-	4 Amp	-	1m	3 Pole



Order process - Please contact our sales team to discuss your requirements. You must check the terms and conditions on any quote before placing an order. Order details must be confirmed in writing by emailing [sales@cmd-ltd.com](mailto:sales@cmd-ltd.com). We're here to help so if you have any questions, please give us a call.



Cables: White and grey modules are supplied with white cables and black modules are supplied with black cables.

Data Cables: CMD cannot accept any responsibility or liability for providing category 6 performance in products supplied. CMD cannot accept any responsibility or liability for providing HDMI performance in products supplied over 5m in length.



# Power Modules



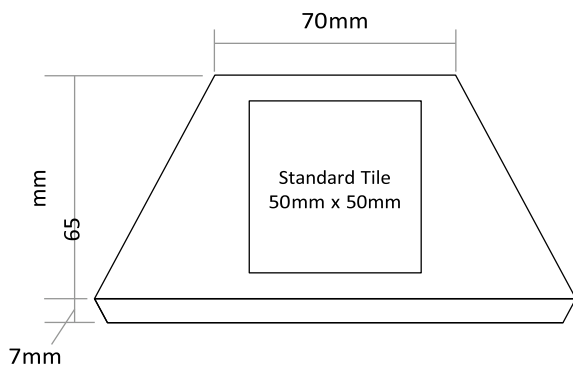
Colour key  
Black  
Grey  
White



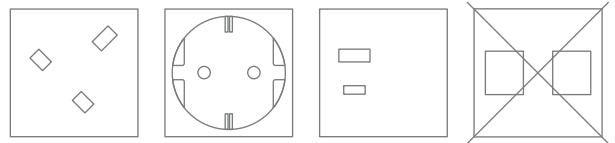
Inca on desk can be customised to support a range of UK and international, USB charging sockets and is fully compliant to current safety regulations.

power  
modules

Desk fixing is not required



Socket options



**Inca on desk power module**



Cables: White and grey modules are supplied with white cables and black modules are supplied with black cables.

Data Cables: CMD cannot accept any responsibility or liability for providing category 6 performance in products supplied. CMD cannot accept any responsibility or liability for providing HDMI performance in products supplied over 5m in length.



# Power Modules

## Colour key

Black  
Grey



White

UK (Fused)

Schuko

USB Power

Data/AV

Order process - Please contact our sales team to discuss your requirements. You must check the terms and conditions on any quote before placing an order. Order details must be confirmed in writing by emailing [sales@cmd-ltd.com](mailto:sales@cmd-ltd.com). We're here to help so if you have any questions, please give us a call.



Please call for more information about Inca with Schuko and international sockets.

Part Number	Colour	UK	Schuko	Charger	Data	Lead	Connector
79AC0004	Black	2	-	AC	-	1m	3 Pole
79AC0005	Grey	2	-	AC	-	1m	3 Pole
79AC0006	White	2	-	AC	-	1m	3 Pole
Please call	Black	-	2	AC	-	1m	3 Pole
n/a	Grey	-	2	AC	-	1m	3 Pole
Please call	White	-	2	AC	-	1m	3 Pole
79050010	Black	2	-	2x 5A	-	1m	3 Pole
79050011	Grey	2	-	2x 5A	-	1m	3 Pole
79050012	White	2	-	2x 5A	-	1m	3 Pole
Please call	Black	-	2	2x 5A	-	1m	3 Pole
n/a	Grey	-	2	2x 5A	-	1m	3 Pole
Please call	White	-	2	2x 5A	-	1m	3 Pole
7900040	Black	4	-	-	-	1m	3 Pole
7900041	Grey	4	-	-	-	1m	3 Pole
7900042	White	4	-	-	-	1m	3 Pole
7900062	Black	-	4	-	-	1m	3 Pole
n/a	Grey	-	4	-	-	1m	3 Pole
7900063	White	-	4	-	-	1m	3 Pole



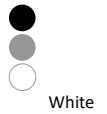
Cables: White and grey modules are supplied with white cables and black modules are supplied with black cables.

Data Cables: CMD cannot accept any responsibility or liability for providing category 6 performance in products supplied. CMD cannot accept any responsibility or liability for providing HDMI performance in products supplied over 5m in length.

# Power Modules



Colour key  
Black  
Grey  
White



## Inca in desk power module

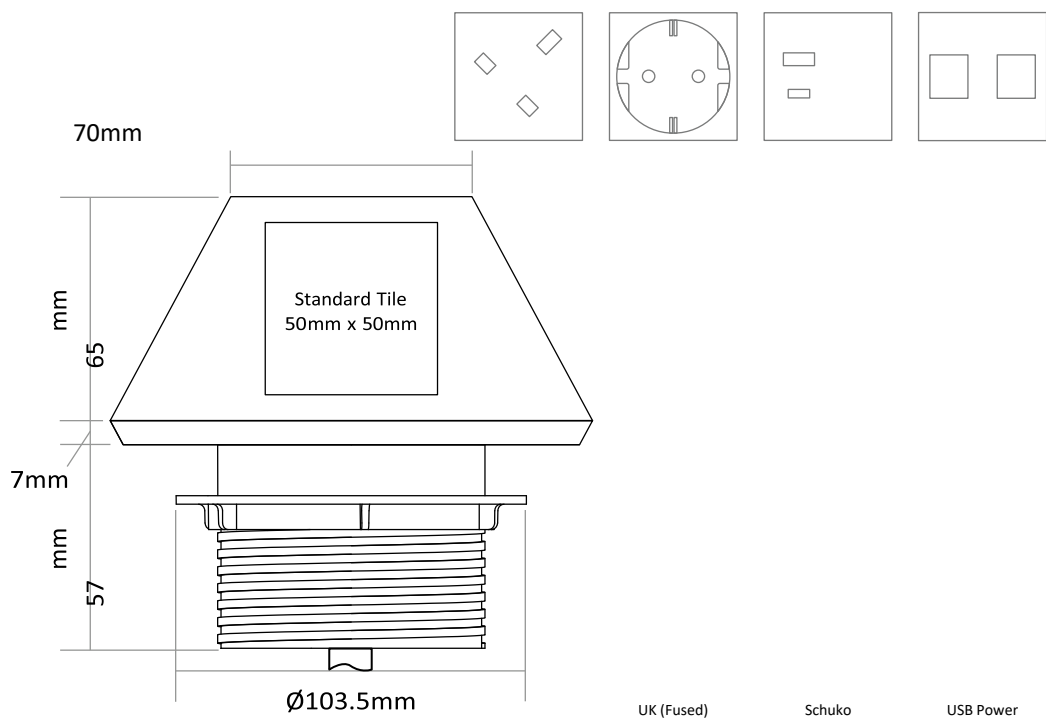


Inca in desk can be customised to support a range of UK and international, USB charging and AV sockets and is fully compliant to current safety regulations.

modules  
**power**

Includes desk fixing

Socket options



Data/AV

Cables: White and grey modules are supplied with white cables and black modules are supplied with black cables.

Data Cables: CMD cannot accept any responsibility or liability for providing category 6 performance in products supplied. CMD cannot accept any responsibility or liability for providing HDMI performance in products supplied over 5m in length.

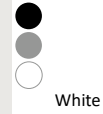


Part Number	Colour	UK	Schuko	Charger	Data	Lead	Connector
79AC0016	Black	2	-	AC	-	1m	3 Pole
79AC0017	Grey	2	-	AC	-	1m	3 Pole
79AC0018	White	2	-	AC	-	1m	3 Pole
Please call	Black	-	2	AC	-	1m	3 Pole
n/a	Grey	-	2	AC	-	1m	3 Pole
Please call	White	-	2	AC	-	1m	3 Pole
79050022	Black	2	-	2x 5A	-	1m	3 Pole
79050023	Grey	2	-	2x 5A	-	1m	3 Pole
79050024	White	2	-	2x 5A	-	1m	3 Pole
Please call	Black	-	2	2x 5A	-	1m	3 Pole
n/a	Grey	-	2	2x 5A	-	1m	3 Pole
Please call	White	-	2	2x 5A	-	1m	3 Pole
790104154	Black	2	-	-	Cat6/HDMI	1m	3 Pole
790124614	Grey	2	-	-	Cat6/HDMI	1m	3 Pole
790104554	White	2	-	-	Cat6/HDMI	1m	3 Pole
Please call	Black	-	2	-	Cat6/HDMI	1m	3 Pole
Please call	Grey	-	2	-	Cat6/HDMI	1m	3 Pole
Please call	White	-	2	-	Cat6/HDMI	1m	3 Pole

Modules

Colour key

Black  
Grey

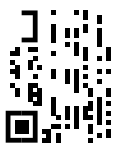


Order process - Please contact our sales team to discuss your requirements. You must check the terms and conditions on any quote before placing an order. Order details must be confirmed in writing by emailing [sales@cmd-ltd.com](mailto:sales@cmd-ltd.com). We're here to help so if you have any questions, please give us a call.



Please call for more information about Inca with data, Schuko and international

sockets.



Cables: White and grey modules are supplied with white cables and black modules are supplied with black cables.

Data Cables: CMD cannot accept any responsibility or liability for providing category 6 performance in products supplied. CMD cannot accept any responsibility or liability for providing HDMI performance in products supplied over 5m in length.

# Power Modules



## Colour key

Black  
Grey

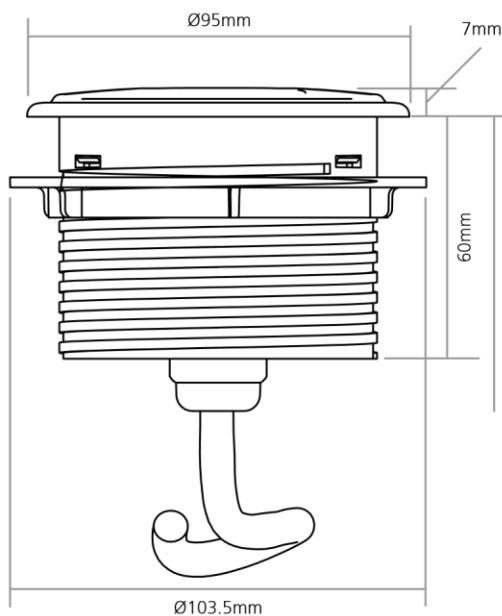


White

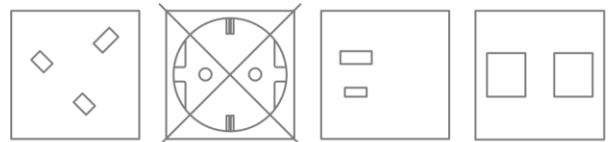


Porthole can be customised to support a range of UK and AV sockets. Porthole is designed to fit an 80mm grommet hole.

Includes desk fixing



Socket options



Part Number	Colour	UK	Schuko	Charger	Data	Lead	Connector
90P100007GST	Black	1	-	-	-	1m	3 Pole
90P100008GST	Grey	1	-	-	-	1m	3 Pole
90P125417GST	White	1	-	-	-	1m	3 Pole
90PD90878GST	Black	1	-	-	Cat 6	1m	3 Pole
90PD100001GST	Grey	1	-	-	Cat 6	1m	3 Pole
90PD100002GST	White	1	-	-	Cat 6	1m	3 Pole
90PD102253GST	Black	1	-	-	2x Cat 6	1m	3 Pole
90AV97745GST	Grey	1	-	-	2x Cat 6	1m	3 Pole
90PD105196GST	White	1	-	-	2x Cat 6	1m	3 Pole

Order process - Please contact our sales team to discuss your

**Porthole** in desk power module

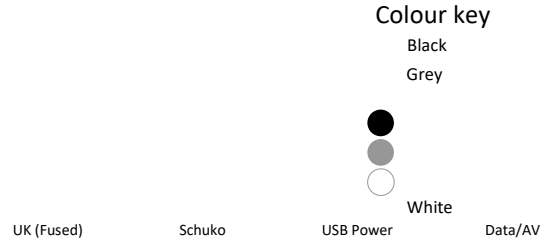


Cables: White and grey modules are supplied with white cables and black modules are supplied with black cables.

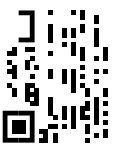
Data Cables: CMD cannot accept any responsibility or liability for providing category 6 performance in products supplied. CMD cannot accept any responsibility or liability for providing HDMI performance in products supplied over 5m in length.



# Power Modules



requirements. You must check the terms and conditions on any quote before placing an order. Order details must be confirmed in writing by emailing [sales@cmd-ltd.com](mailto:sales@cmd-ltd.com). We're here to help so if you have any questions, please give us a call.



Cables: White and grey modules are supplied with white cables and black modules are supplied with black cables.

Data Cables: CMD cannot accept any responsibility or liability for providing category 6 performance in products supplied. CMD cannot accept any responsibility or liability for providing HDMI performance in products supplied over 5m in length.

### Colour key

Black

Grey



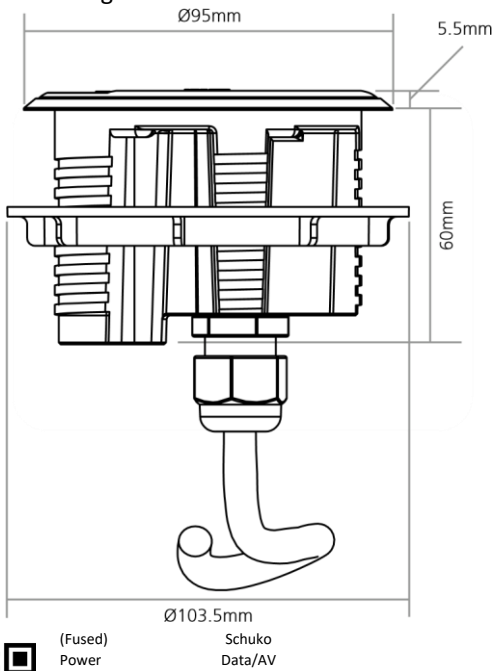
White

## Porthole AC in desk power module

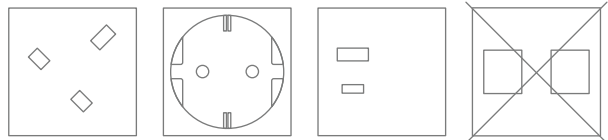


Porthole AC is a fixed format module available with UK or international sockets and has a fully integrated USB Type A and Type C adaptive fast charger. Porthole AC is designed to fit an 80mm grommet hole.

### Includes desk fixing



### Socket options



Part Number	Colour	UK	Schuko	Charger	Data	Lead	Connector
90AC01BGST	Black	1x 3A	-	AC	-	1m	3 Pole
90AC02GGST	Grey	1x 3A	-	AC	-	1m	3 Pole
90AC03WGST	White	1x 3A	-	AC	-	1m	3 Pole
90AC04BGST	Black	1x 5A	-	AC	-	1m	3 Pole
90AC05GGST	Grey	1x 5A	-	AC	-	1m	3 Pole
90AC06WGST	White	1x 5A	-	AC	-	1m	3 Pole
90AC07BGST	Black	-	1	AC	-	1m	3 Pole
90AC08GGST	Grey	-	1	AC	-	1m	3 Pole
90AC09WGST	White	-	1	AC	-	1m	3 Pole



Order process - Please contact our sales team to discuss your requirements. You must check the terms and conditions on any quote before placing an order. Order

Cables: White and grey modules are supplied with white cables and black modules are supplied with black cables.

Data Cables: CMD cannot accept any responsibility or liability for providing category 6 performance in products supplied. CMD cannot accept any responsibility or liability for providing HDMI performance in products supplied over 5m in length.

### Colour key

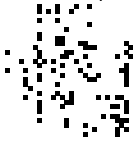
Black

Grey



White

details must be confirmed in writing by emailing [sales@cmd-ltd.com](mailto:sales@cmd-ltd.com).  
We're here to help so if you have any questions, please give us a call.



## Reveal in desk power module

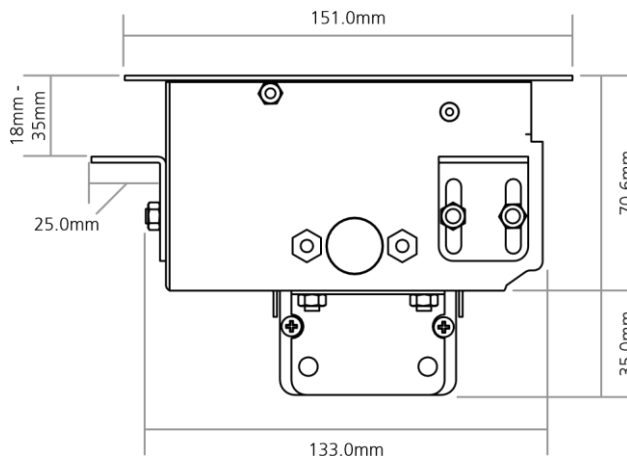
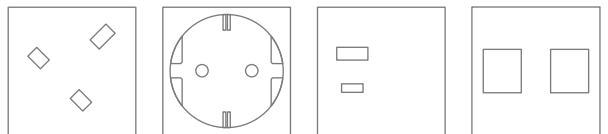


power  
modules

Reveal is available in two sizes and can be customised to support a range of UK and international, USB charging and AV sockets and is fully compliant to current safety regulations. The unit includes a seamless surround and soft closing lid and is ideal for meeting rooms and communal spaces.

Includes desk fixing

### Socket options



UK (Fused)

Schuko

USB Power

Data/AV

Cables: White and grey modules are supplied with white cables and black modules are supplied with black cables.

Data Cables: CMD cannot accept any responsibility or liability for providing category 6 performance in products supplied. CMD cannot accept any responsibility or liability for providing HDMI performance in products supplied over 5m in length.



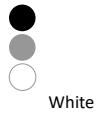


# Power Modules



Part Number	Colour	UK	Schuko	Charger	Data	Lead	Connector
78050001	●	2	-	5A	HDMI	1m	3 Pole
78050002	●	2	-	5A	HDMI	1m	3 Pole
78050003	○	2	-	5A	HDMI	1m	3 Pole
78050004	●	2	-	5A	HDMI / VGA / Mini Jack	1m	3 Pole
78050005	●	2	-	5A	HDMI / VGA / Mini Jack	1m	3 Pole
78050006	○	2	-	5A	HDMI / VGA / Mini Jack	1m	3 Pole
78AC0001	●	2	-	AC	HDMI	1m	3 Pole
78AC0002	●	2	-	AC	HDMI	1m	3 Pole
78AC0003	○	2	-	AC	HDMI	1m	3 Pole
78AC0004	●	2	-	AC	HDMI / VGA / Mini Jack	1m	3 Pole
78AC0005	●	2	-	AC	HDMI / VGA / Mini Jack	1m	3 Pole
78AC0006	○	2	-	AC	HDMI / VGA / Mini Jack	1m	3 Pole

Colour key  
Black  
Grey



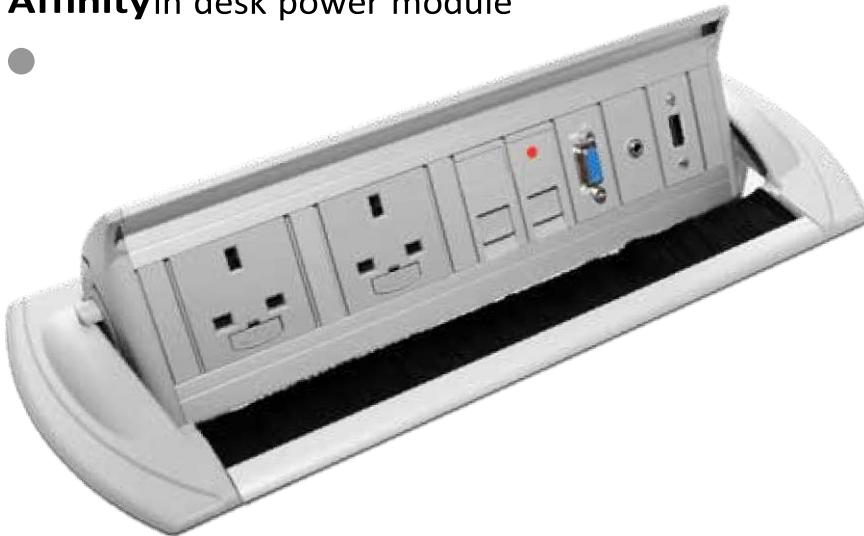
**Small:** 341mm x 151mm (cut out size 328mm x 134mm)  
**Large:** 441mm x 151mm (cut out size 428mm x 134mm)

Order process - Please contact our sales team to discuss your requirements. You must check the terms and conditions on any quote before placing an order. Order details must be confirmed in writing by emailing [sales@cmd-ltd.com](mailto:sales@cmd-ltd.com). We're here to help so if you have any questions, please give us a call.



Please call for more information about Reveal with Schuko and international sockets.

## Affinity in desk power module



Affinity can be customised to support a range of UK and international, USB charging and AV sockets and is fully compliant to current safety regulations.

Includes desk fixing

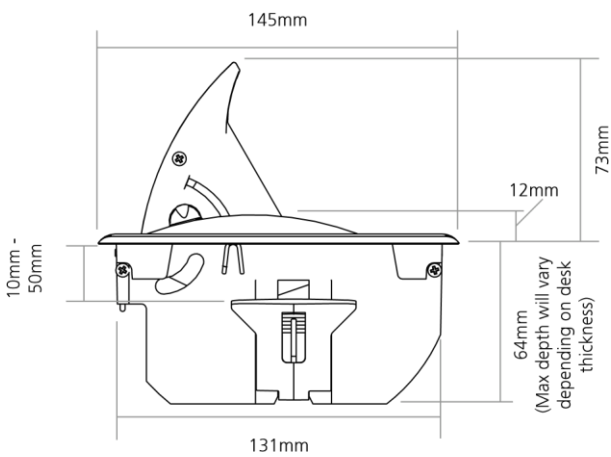


Cables: White and grey modules are supplied with white cables and black modules are supplied with black cables.

Data Cables: CMD cannot accept any responsibility or liability for providing category 6 performance in products supplied. CMD cannot accept any responsibility or liability for providing HDMI performance in products supplied over 5m in length.

### Colour key

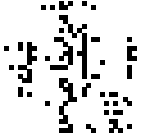
- B
- Black
- Grey
- White



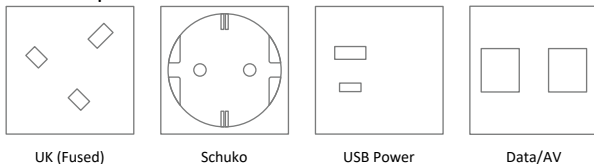
Part Number	Colour	UK	Schuko	Charger	Data	Lead	Connector
85PG01	Black	2	-	-	-	3m	13A UK
85PG03	Black	4	-	-	-	3m	13A UK
85U490	Black	2	-	-	Cat 6	3m	13A UK
85U493	Black	4	-	-	Cat 6	3m	13A UK
85HG02	Black	2	-	-	Cat 6 / VGA	3m	13A UK
85AV52050	Black	2	-	-	Cat 6 / VGA / Mini Jack / HDMI	3m	13A UK
85050001	Black	2	-	5A	-	3m	13A UK
85050002	Black	2	-	5A	2x Cat 6	3m	13A UK

Please call for more information about Affinity with data, Schuko and international sockets.

Order process - Please contact our sales team to discuss your requirements. You must check the terms and conditions on any quote before placing an order. Order details must be confirmed in writing by emailing [sales@cmd-ltd.com](mailto:sales@cmd-ltd.com). We're here to help so if you have any questions, please give us a call.



### Socket options



Cables: White and grey modules are supplied with white cables and black modules are supplied with black cables.

Data Cables: CMD cannot accept any responsibility or liability for providing category 6 performance in products supplied. CMD cannot accept any responsibility or liability for providing HDMI performance in products supplied over 5m in length.

# Power Modules



## Colour key

Black  
Grey

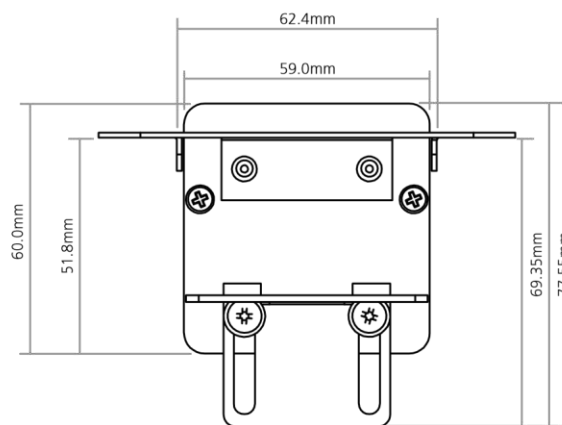


White



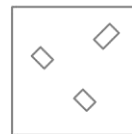
Surface is available in four sizes and can be customised to support a range of UK and international, USB charging and AV sockets and is fully compliant to current safety regulations.

Includes furniture fixing brackets

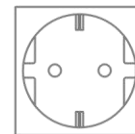


**Surface** in desk power module

Socket options



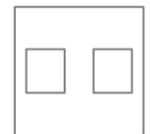
UK (Fused)



Schuko



USB Power



Data/AV



Cables: White and grey modules are supplied with white cables and black modules are supplied with black cables.

Data Cables: CMD cannot accept any responsibility or liability for providing category 6 performance in products supplied. CMD cannot accept any responsibility or liability for providing HDMI performance in products supplied over 5m in length.



# Power Modules

**Size 1:** 193.7mm x 100mm (cut out size 163mm x 69mm)

**Size 2:** 293.7mm x 100mm (cut out size 263mm x 69mm)

**Size 3:** 393.7mm x 100mm (cut out size 363mm x 69mm)

**Size 4:** 493.7mm x 100mm (cut out size 463mm x 69mm)

Order process - Please contact our sales team to discuss your requirements. You must check the terms and conditions on any quote before placing an order. Order details must be confirmed in writing by emailing [sales@cmd-ltd.com](mailto:sales@cmd-ltd.com).

We're here to help so if you have any questions, please give us a call.

Part Number	Colour	UK	Schuko	Charger	Data	Lead	Connector
77AC0001	Black	1	-	AC	-	1m	3 Pole
77AC0002	Grey	1	-	AC	-	1m	3 Pole
77AC0003	White	1	-	AC	-	1m	3 Pole
77AC0004	Black	2	-	AC	-	1m	3 Pole
77AC0005	Grey	2	-	AC	-	1m	3 Pole
77AC0006	White	2	-	AC	-	1m	3 Pole
77AC0007	Black	2	-	AC	Cat 6 / HDMI MJ / VGA	1m	3 Pole
77AC0008	Grey	2	-	AC	Cat 6 / HDMI MJ / VGA	1m	3 Pole
77AC0009	White	2	-	AC	Cat 6 / HDMI MJ / VGA	1m	3 Pole
77AC0010	Black	3	-	AC	Cat 6 / HDMI MJ / VGA / USB	1m	3 Pole
77AC0011	Grey	3	-	AC	Cat 6 / HDMI MJ / VGA / USB	1m	3 Pole
77AC0012	White	3	-	AC	Cat 6 / HDMI MJ / VGA / USB	1m	3 Pole

## Colour key

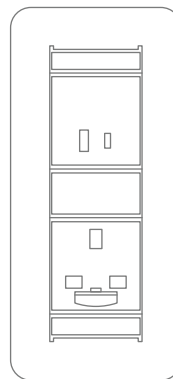
Black  
Grey



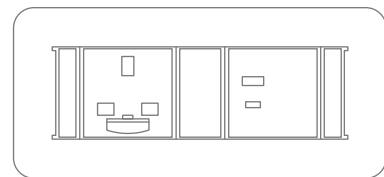
White

Please call for more information about Surface with Schuko and international sockets.

## Face in desk power module



Portrait



Landscape

Face is available in two orientations, Portrait and Landscape, and can be customised to support a range of UK and international, USB charging and AV sockets and is fully compliant to current safety regulations.



Cables: White and grey modules are supplied with white cables and black modules are supplied with black cables.

Data Cables: CMD cannot accept any responsibility or liability for providing category 6 performance in products supplied. CMD cannot accept any responsibility or liability for providing HDMI performance in products supplied over 5m in length.

# Power Modules



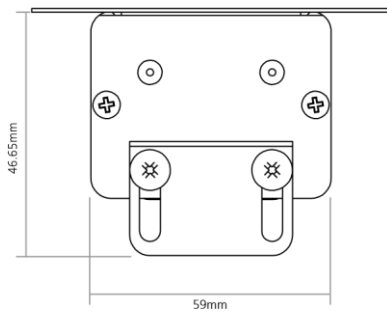
## Colour key

Black  
Grey



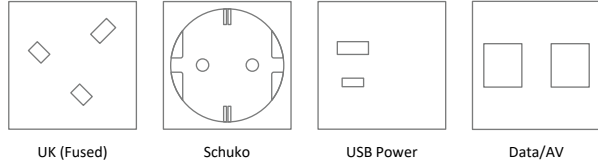
White

Includes furniture fixing brackets



**Size:** 192.5mm x 88mm (cut out size 163mm x 69mm)

## Socket options



Part Number	Colour	UK	Schuko	Charger	Data	Lead	Connector
775AC001 Portrait	Black	1	-	AC	-	1m	3 Pole
775AC002 Portrait	Grey	1	-	AC	-	1m	3 Pole
775AC003 Portrait	White	1	-	AC	-	1m	3 Pole
775AC004 Landscape	Black	1	-	AC	-	1m	3 Pole
775AC005 Landscape	Grey	1	-	AC	-	1m	3 Pole
775AC006 Landscape	White	1	-	AC	-	1m	3 Pole

Order process - Please contact our sales team to discuss your requirements. You must check the terms and conditions on any quote before placing an order. Order details must be confirmed in writing by emailing [sales@cmd-ltd.com](mailto:sales@cmd-ltd.com). We're here to help so if you have any questions, please give us a call.



modules  
**power**

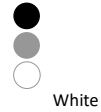
Please call for more information about Face with data, Schuko and international sockets.



Data Cables: CMD cannot accept any responsibility or liability for providing category 6 performance in products supplied. CMD cannot accept any responsibility or liability for providing HDMI performance in products supplied over 5m in length.

### Colour key

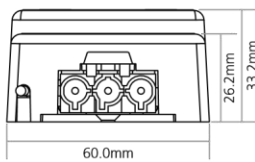
Black  
Grey



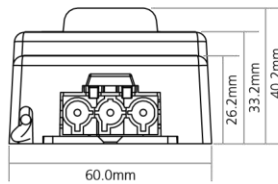
Elite+ is a fixed format under desk power module and is available with UK fused and Schuko sockets, RCD protection and data. Elite+ is powered by a 3 pole GST connector (supplied separately) and can be connected with other modules in accordance with BS 6396. Elite+ is independently tested to BS 5733.

Includes moulded fixing holes

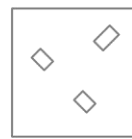
Socket options



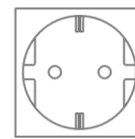
2/3/4 Gang Module



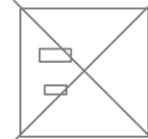
6 Gang Module



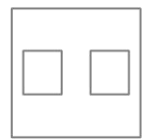
UK (Fused)



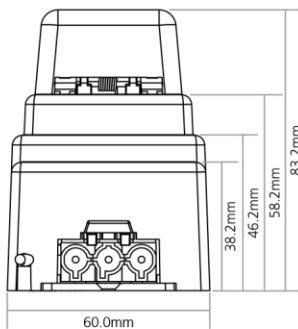
Schuko



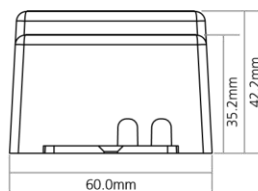
USB Power



Data/AV



RCD Module



Data Module

## Elite+ under desk power module



Cables: White and grey modules are supplied with white cables and black modules are supplied with black cables.

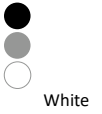
Data Cables: CMD cannot accept any responsibility or liability for providing category 6 performance in products supplied. CMD cannot accept any responsibility or liability for providing HDMI performance in products supplied over 5m in length.

# Power Modules



### Colour key

Black  
Grey  
White



Order process - Please contact our sales team to discuss your requirements. You must check the terms and conditions on any quote before placing an order. Order details must be confirmed in writing by emailing sales@cmd-ltd.com. We're here to help so if you have any questions, please give us a call.



Part Number	Colour	UK	Schuko	Switch	Protection	Data	Connector
92K005GST	●	2 3.15A	-	-	-	-	3 Pole
92K011GST	●	2 5A	-	-	-	-	3 Pole
92K007GST	●	3 3.15A	-	-	-	-	3 Pole
92KS001GST	●	-	3	-	-	-	3 Pole
92K013GST	●	3 5A	-	-	-	-	3 Pole
92K002GST	●	4 3.15A	-	-	-	-	3 Pole
92K003GST	●	4 3.15A	-	✓	-	-	3 Pole
92KS002GST	●	-	4	-	-	-	3 Pole
92K008GST	●	4 5A	-	-	-	-	3 Pole
92K009GST	●	4 5A	-	✓	-	-	3 Pole
92K001GST	●	6 3.15A	-	✓	-	-	3 Pole
92K014	●	-	-	-	-	4x Blanks	-
92K018	●	-	-	-	-	2x RJ45 Cat6 2x Blanks	-
92K020	●	-	-	-	-	4x RJ45 Cat6	-
92KR001GST	●	-	-	-	16A 30mA RCD	-	3 Pole



### Colour key

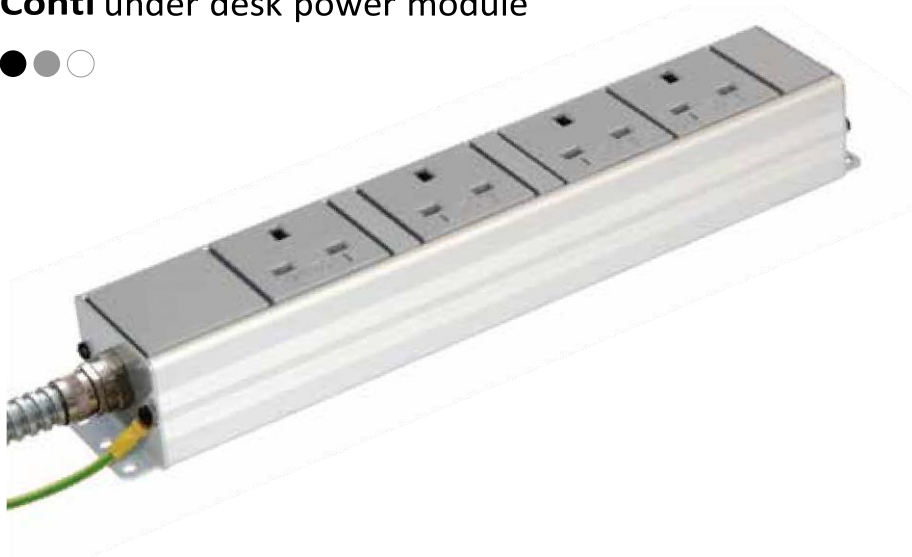
Black

Grey



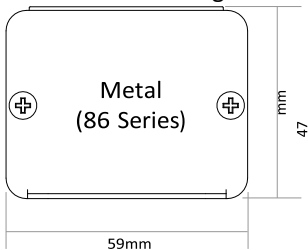
White

## Conti under desk power module

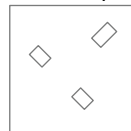


Conti Metal is a fully customisable under desk power module and supports a range of UK and international, USB charging and AV sockets. Conti is independently tested to BS 5733 and complies to current safety regulations.

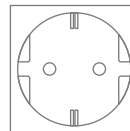
### Includes metal fixing holes



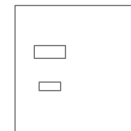
### Socket options



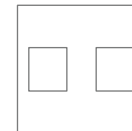
UK (Fused)



Schuko



USB Power



Data/AV

**Order process** - Please contact our sales team to discuss your requirements. You must check the terms and conditions on any quote before placing an order. Order details must be confirmed in writing by emailing [sales@cmd-ltd.com](mailto:sales@cmd-ltd.com). We're here to help so if you have any questions, please give us a call.



### Conti Standard Earth Modules

Part Number	Colour	UK	Switch	Fuse	Protection	Lead	Connector
86KS01	●	4	-	✓	-	5m	Unfused 32A Tap-off
86KS03	●	4	✓	✓	-	5m	Unfused 32A Tap-off
86KS02	●	6	-	✓	-	5m	Unfused 32A Tap-off
86KS04	●	6	✓	✓	-	5m	Unfused 32A Tap-off
86KS05	●	4	-	-	16A 30mA RCBO	5m	Unfused 32A Tap-off
86KS06	●	6	-	-	16A 30mA RCBO	5m	Unfused 32A Tap-off

### Conti Clean Earth Modules

Cables: White and grey modules are supplied with white cables and black modules are supplied with black cables.

Data Cables: CMD cannot accept any responsibility or liability for providing category 6 performance in products supplied. CMD cannot accept any responsibility or liability for providing HDMI performance in products supplied over 5m in length.

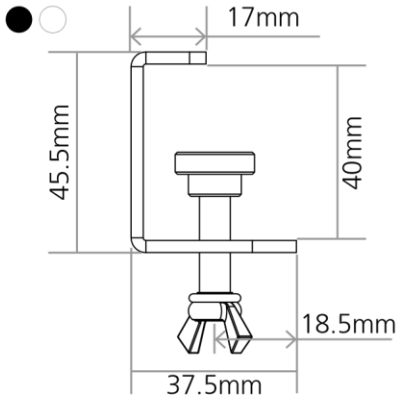


Part Number	Colour	UK	Switch	Fuse	Protection	Lead	Connector
86KC01	●	4	-	✓	-	5m	Unfused 32A Tap-off
86KC03	●	4	✓	✓	-	5m	Unfused 32A Tap-off
86KC02	●	6	-	✓	-	5m	Unfused 32A Tap-off
86KC04	●	6	✓	✓	-	5m	Unfused 32A Tap-off
86KC05	●	4	-	-	16A 30mA RCBO	5m	Unfused 32A Tap-off
86KC06	●	6	-	-	16A 30mA RCBO	5m	Unfused 32A Tap-off

Please call for more information about Conti with data, Schuko and international sockets.

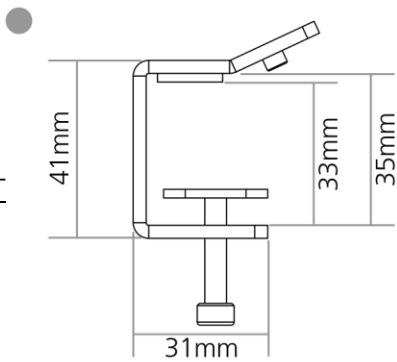
# Desk Clamping Options

## Capsule on desk power module.



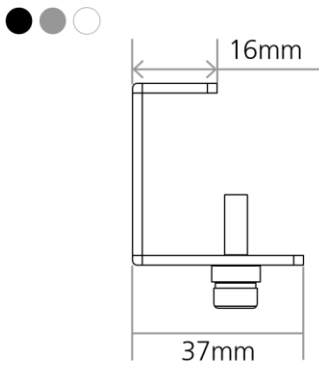
Part Number	Colour	Desk Thickness	Description
72DC01B	●	11mm-30mm	Capsule desk fixing C clamp
72DC01W	○	11mm-30mm	Capsule desk fixing C clamp

## Linear on desk power module.



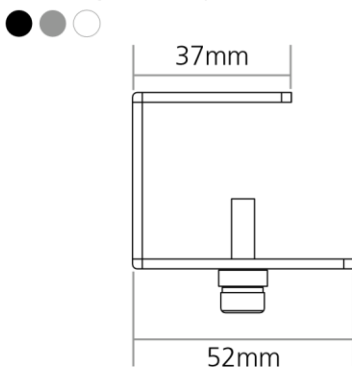
Part Number	Colour	Desk Thickness	Description
440732	●	31mm max	Linear desk fixing C clamp
440736	●	27mm max	Linear top fixing C clamp
440734	●	n/a	Linear adhesive on desk fixing

## Contour on desk power module.



Part Number	Colour	Desk Thickness	Description
440692	●	40mm max	Contour desk fixing C clamp.
440693	●	40mm max	Contour desk fixing C clamp.
440691	○	40mm max	Contour desk fixing C clamp.
440695	●	50mm max	Contour desk fixing C clamp.
440696	●	50mm max	Contour desk fixing C clamp.
440694	○	50mm max	Contour desk fixing C clamp.
440698	●	60mm max	Contour desk fixing C clamp.
440699	●	60mm max	Contour desk fixing C clamp.
440697	○	60mm max	Contour desk fixing C clamp.

## Harmony on desk power module.



Part Number	Colour	Desk Thickness	Description
440701	●	40mm max	Harmony desk fixing C clamp.
440702	●	40mm max	Harmony desk fixing C clamp.
440700	○	40mm max	Harmony desk fixing C clamp.
440704	●	50mm max	Harmony desk fixing C clamp.
440705	●	50mm max	Harmony desk fixing C clamp.
440703	○	50mm max	Harmony desk fixing C clamp.
440707	●	60mm max	Harmony desk fixing C clamp.
440708	●	60mm max	Harmony desk fixing C clamp.
440706	○	60mm max	Harmony desk fixing C clamp.



# Power Modules

Colour key



## AV Cables / Starter Leads

Cables:  
White and  
grey  
modules  
are  
supplied  
with white  
cables and  
black  
modules  
are  
supplied  
with black  
cables.

D  
at  
a  
C  
a  
bl  
es  
:  
C  
M  
D  
ca  
n  
n  
ot  
ac  
ce  
pt  
a  
ny  
re  
sp  
o  
ns  
ib  
ili  
ty  
or  
lia  
bi  
lit





## AV Cables

Separate AV cables must be purchased with our new rear access data sockets. Other cable lengths are available on request.

Part Number	Description
161713	3m Cat 6 data cable. Male to male connector
161239	2m USB data cable. Male to male connector
161718	2m HDMI data cable. Male to male connector

## Starter Cable Plug to Female 3 Pole Connector

Part Number UK Black	Part Number Schuko Black	Part Number UK White	Part Number Schuko White	Length
601105GST	-	601205GST	-	0.5m
601110GST	600939GST	601210GST	600722GST	1m
601115GST	600502GST	601215GST	600723GST	1.5m
601120GST	600594GST	601220GST	601401GST	2m
601130GST	600037GST	601230GST	600538GST	3m
601140GST	600943GST	601240GST	600726GST	4m
601150GST	601200GST	601250GST	600727GST	5m
601160GST	600718GST	601260GST	600728GST	6m
601170GST	600983GST	601270GST	600729GST	7m
601179GST	600719GST	601280GST	600730GST	8m
601180GST	600720GST	601290GST	600731GST	9m
600965GST	600721GST	601299GST	600732GST	10m

## Male 3 Pole Connector to Female 3 Pole Connector

Part Number UK Black	Part Number UK White	Length
620203GST	620303GST	0.3m
620205GST	620305GST	0.5m
620210GST	620310GST	1m
620215GST	620315GST	1.5m
620220GST	620320GST	2m
620230GST	620330GST	3m
620240GST	620340GST	4m

## GST/ST Connector Blocks

Part Number Male ST to female GST	Part Number Male GST to female ST
160834GST	160618GST

## 16 Series Cable Locking Clip

Cable Locking Clips will vary depending on the cables used so please speak to a member of our sales team for more information.

## 16 Series Self-Fit Connectors (Pack of 10)

Suitable for terminating cables to produce mains or connector leads. We recommend that only the female is used for mains input lead applications. These connectors are rated at 16 Amps, we recommend that 1.5mm<sup>2</sup> cable diameter is used for assembly purposes. Sold in packs of 10.

## 16 Series Connector Blocks

- 1 Male inlet to 1 Female outlet to connect modules together without a cable
- 2 Connector blocks are required per connection
- Colour options, black or white

Part Number Black	Part Number White
161413GST	161414GST

## 16 Series Mains Splitter

- 1 Male inlet to 3 Female outlets, with fixing lugs, black or white

Part Number Male Black	Part Number Female Black	Part Number Male White	Part Number Female White
440633	440632	440642	440641
Part Number Standard Black	Part Number Extended Height Black	Part Number Standard White	Part Number Extended Height White
161415GST	161417GST	161416GST	161418GST

## 16 Series Blanking Plugs

Part Number Male Black	Part Number Female Black	Part Number Male White	Part Number Female White
161419GST	161421GST	161420GST	161422GST

## Fuses

Part Number	Description
440175	100 x 3.15A Fuses
440176	100 x 5A Fuses

## Earth Kit

Earth lead 1.5mm<sup>2</sup> with M5 ring terminals, supplied with washers & screws. Other options available on request.

Part Number	Length
640199	200mm
640200	300mm
640201	500mm